

Technical Data

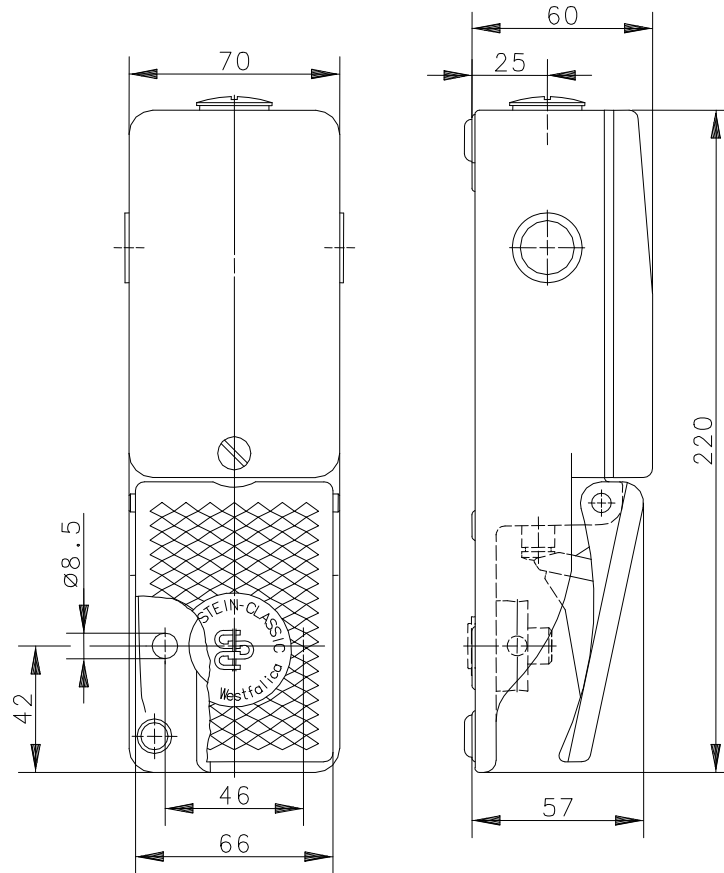
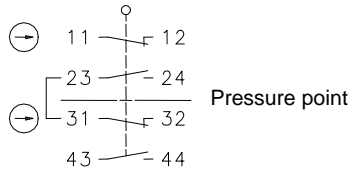
Foot-switch

Series F1

Description **F1-U2ZD**

Article number **6161200492**

Switching symbol



Electrical data

| | | |
|---------------------------------|-----------|---|
| Rated insulation voltage | U_i | 400 V AC |
| Conv. thermal current | I_{the} | 10 A |
| Rated operational voltage | U_e | 240 V |
| Utilization category | | AC-15, U_e/I_e 240 V / 3 A |
| Positive opening NC contact | \ominus | IEC/EN 60947-5-1 |
| Short-circuit protective device | | Fuse 10 A gG IEC/EN 60947-5-1, Annex K |
| Protection class | | I |

This document will not become the contractual basis; the details included herein do not constitute any descriptions of expected conditions, so that warranties/claims for defects on account of possible variations of the actual qualities from the qualities described herein are explicitly excluded. All rights reserved. Specifications subject to change without notice!

Date of issue: 03.12.2012 / Page 1 of 2
Document: 6161200492_en / Last update: 2 / 2255-12

Technical Data

Foot-switch



| Mechanical data | |
|---------------------------|---|
| Enclosure | AL, die-cast |
| Cover | AL, die-cast |
| Actuator | Foot lever (PA) |
| Ambient air temperature | -30 °C ... +80 °C |
| Contact type | 2 N.C., 2 N.O. (Zb) |
| Contacts | 0,2 µ fine the gold-plated (Our guideline values are valid for the gold-plated switch contacts.) |
| Operating force | approx. 10 N (pedal centre) |
| Pressure point | ≈ 200 N |
| Mechanical life | 1 x10 ⁶ operating cycles |
| Switching frequency | max. 50/min |
| Assembly | 2 x M4 |
| Connection | screw connections M3,5 |
| Number of connections | 8 (see switching symbol) |
| Protection ground | 2 x M4 |
| Conductor cross-sections | Solid: 0,5 – 1,5mm ² Litz wire with or without ferrules: 0,5 – 1,5 mm ² |
| Cable entrance | 3 x M20 x 1,5 |
| Weight | approx. 0,70 kg |
| Protection type | IP65 in accordance with IEC/EN 60529 |
| ID for safety engineering | |
| B10d | 2 x 10 ⁶ switching cycles |
| Regulations | |
| | VDE 0660 T100, DIN EN 60947-1, IEC 60947-1 VDE 0660 T200, DIN EN 60947-5-1, IEC 60947-5-1 |
| EU Conformity | |
| | acc. to directive 2006/42/EG |
| Approvals | |
| | DGUV cCSA _{US} A300, Q300 (same polarity) CCC |
| Notes | |

The degree of protection (IP code) specified applies solely to a property closed cover and the use of an equivalent cable gland with adequate cable.

This document will not become the contractual basis; the details included herein do not constitute any descriptions of expected conditions, so that warranties/claims for defects on account of possible variations of the actual qualities from the qualities described herein are explicitly excluded. All rights reserved. Specifications subject to change without notice!

Date of issue: 03.12.2012 / Page 2 of 2
Document: 6161200492_en / Last update: 2 / 2255-12