

Accessories - Capacitors

PLASTIC CAPACITORS

Part Number	Size (mfd)	Temp. Range (°C)	Max. Dim in. (mm)		
			a	b	d
02100-4-7320	1	-25 to +85	1.1 (28)	2.2 (55)	0.5 (12)
99282-4-7320	1.5	-25 to +85	1.1 (28)	2.2 (55)	0.5 (12)
99283-4-7320	2	-25 to +85	1.1 (28)	2.2 (55)	0.5 (12)
02103-4-7320	2.5	-25 to +85	1.1 (28)	2.2 (55)	0.5 (12)
02102-4-7320	3	-25 to +85	1.1 (28)	2.2 (55)	0.5 (12)
99284-4-7320	4	-25 to +85	1.3 (32)	2.2 (55)	0.5 (12)
02101-4-7320	5	-25 to +85	1.4 (36)	2.3 (58)	0.5 (12)
99285-4-7320	6	-25 to +85	1.4 (36)	2.8 (70)	0.5 (12)
99286-4-7320	8	-25 to +85	1.6 (40)	2.6 (67)	0.5 (12)
99287-4-7320	10	-25 to +85	1.6 (40)	2.8 (70)	0.5 (12)

(For larger sizes consult factory)

METAL CAPACITORS with PLASTIC LID

Part Number	Size (mfd)	Temp. Range (°C)	Max. Dim in. (mm)		
			a	b	c
2151-4-7320	1	-25 to +85	1.0 (25)	3.0 (77)	3.6 (92)
2155-4-7320	1.5	-25 to +85	1.0 (25)	3.0 (77)	3.6 (92)
2156-4-7320	2	-25 to +85	1.0 (25)	3.0 (77)	3.6 (92)
2159-4-7320	2.5	-25 to +85	1.2 (30)	2.8 (71)	3.6 (92)
2160-4-7320	3	-25 to +85	1.2 (30)	2.8 (71)	3.6 (92)
2161-4-7320	4	-25 to +85	1.2 (30)	4.1 (104)	5.3 (135)
2162-4-7320	5	-25 to +85	1.4 (35)	4.1 (104)	4.4 (113)
2163-4-7320	6	-25 to +85	1.4 (35)	4.0 (101)	4.3 (110)
2164-4-7320	7	-25 to +85	1.6 (40)	4.0 (101)	4.3 (110)
2165-4-7320	8	-25 to +85	1.4 (35)	4.0 (102)	4.4 (111)
2166-4-7320	10	-25 to +85	1.4 (35)	3.8 (96)	4.3 (110)
2167-4-7320	12	-25 to +85	1.6 (40)	3.8 (96)	4.3 (110)
90026-4-7320	14	-25 to +85	1.6 (40)	5.1 (130)	5.5 (139)
2168-4-7320	16	-25 to +75	1.8 (46)	3.8 (96)	5.1 (130)
2169-4-7320	20	-25 to +75	1.8 (46)	4.6 (116)	5.1 (130)
2170-4-7320	25	-25 to +75	1.8 (46)	4.6 (116)	5.1 (130)

HOW TO USE CAPACITORS FOR MULTI-SPEED BLOWERS

It is possible to make any ebm blower with a PSC motor a multi-speed blower by adding a second or third capacitor on the load line (blue) at or near the value of the motor run capacitor. Actual capacitor value and RPM achieved are dependent on the nature of each application.



Note: These capacitors may be supplied per the listing under "METAL CAPACITORS with METAL LID".



- **Overpressure disconnect:** The protector responds to overload by the generated overpressure expanding the housing and snapping off the internal lead at a predetermined breaking point

- **Installation:** "c" is the overall dimension after operation of overpressure disconnecter which has to be taken into account when mounting the part

Accessories - Capacitors

METAL CAPACITORS with METAL LID

Part Number	Size (mfd)	Temp. Range (°C)	Max. Dim. in (mm)		
			a	b	c
2151-4-7320	1	-25 to +85	1.0 (25)	3.0 (77)	3.3 (85)
2155-4-7320	1.5	-25 to +85	1.0 (25)	3.0 (77)	3.3 (85)
2156-4-7320	2	-25 to +85	1.0 (25)	3.0 (77)	3.3 (85)
2159-4-7320	2.5	-25 to +85	1.2 (30)	3.0 (77)	3.3 (85)
2160-4-7320	3	-25 to +85	1.2 (30)	3.0 (77)	3.3 (85)
2161-4-7320	4	-25 to +85	1.2 (30)	4.2 (107)	4.4 (112)
2162-4-7320	5	-25 to +85	1.4 (35)	4.2 (107)	4.4 (112)
2163-4-7320	6	-25 to +85	1.4 (35)	4.2 (107)	4.4 (112)
2164-4-7320	7	-25 to +85	1.6 (40)	4.2 (107)	4.4 (112)
2165-4-7320	8	-25 to +85	1.4 (35)	4.2 (107)	4.4 (112)
2166-4-7320	10	-25 to +85	1.4 (35)	4.0 (102)	4.2 (107)
2167-4-7320	12	-25 to +85	1.6 (40)	4.0 (102)	4.2 (107)
90026-4-7320	14	-25 to +85	1.6 (40)	4.0 (102)	4.2 (107)
2168-4-7320	16	-25 to +75	1.8 (46)	4.0 (102)	4.2 (107)
2169-4-7320	20	-25 to +75	1.8 (46)	4.8 (122)	5.0 (127)
2170-4-7320	25	-25 to +75	1.8 (46)	4.8 (122)	5.0 (127)

Note: These capacitors may be supplied per the listing under "METAL CAPACITORS with PLASTIC LID".



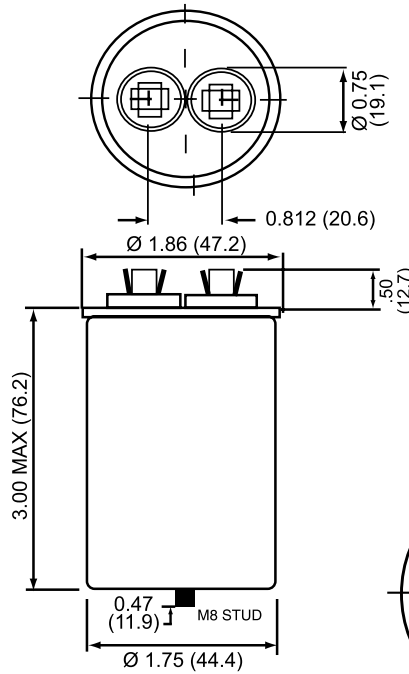
- **Overpressure disconnect:** The protector responds to overload by the generated overpressure expanding the housing and snapping off the internal lead at a predetermined breaking point

- **Installation:** "c" is the overall dimension after operation of overpressure disconnect which has to be taken into account when mounting the part

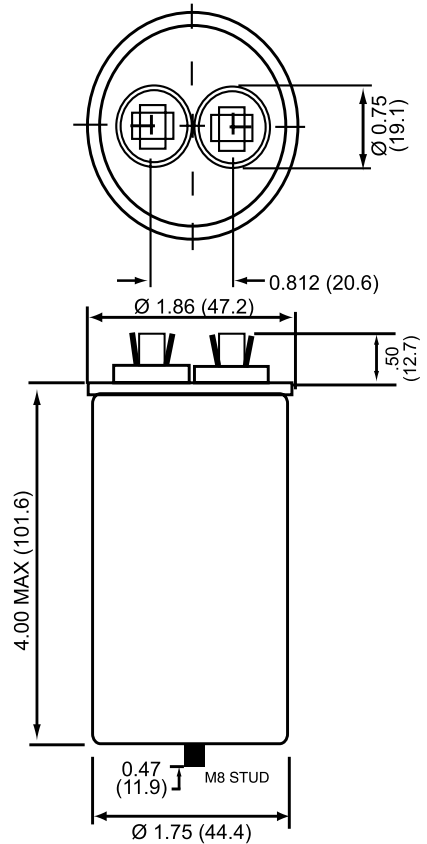
Accessories

with UL, CSA and VDE Approvals

Part Number	Size (mfd)	Temp Range °C
450-20-0017	1	-20 to +85
450-20-0018	1.5	-20 to +85
450-20-0019	2	-20 to +85
450-20-0020	2.5	-20 to +85
450-20-0021	3	-20 to +85
450-20-0022	4	-20 to +85
450-20-0023	5	-20 to +85
450-20-0024	6	-20 to +85
450-20-0025	7	-20 to +85
450-20-0026	8	-20 to +85
450-20-0027	10	-20 to +85
450-20-0028	12	-20 to +85



Note: These capacitors may be supplied per the listing under "METAL CAPACITORS with METAL LIDS"



LARGER SIZE (see drawing)

Part Number	Size (mfd)	Temp Range °C
450-20-0029	16	-20 to +85
450-20-0030	20	-20 to +85
450-20-0031	25	-20 to +85
450-20-0033	30	-20 to +85
450-20-0034	40	-20 to +85

Part Number for Boot	710-00-0042
----------------------	-------------

* UL File # for capacitors E133000(N)
 CSA File # for capacitors LR96263
 UL File # for Boot SA6016(N)

Boot Dimensions

