

Part Number: ROTEX 200x175.16



<https://ervconfigurator.elaflex.de/ROTEX/200MM/L175MM/.16/STANDARD/.16/STANDARD/STANDARD/STANDARD/STANDARD/Product11.html>

Bellows

ROTEX

ROTEX expansion joints suitable for permanent use with hot heating water, cooling water and hot air.

Approved according to DIN up to +100° C by 10 bar and up to +110° C by 6 bar.
 Temperature range (depending on medium) -40° C up to +130° C, temporarily up to +150° C. Electrically dissipative.

Not suitable for drinking water, cooling water with oil containing additives, oily compressor air, permanent effect of steam.

Cover: EPDM, ozone proof, heat resistant
 Reinforcement: Polymer textile cord, hot water and hydrolysis proof
 Liner: EPDM, hot water resistant, seamless, abrasion resistant
 Marking: 2 red bands, ERV DN .., PN .., production date

Size DN

DN 200 mm / 8"

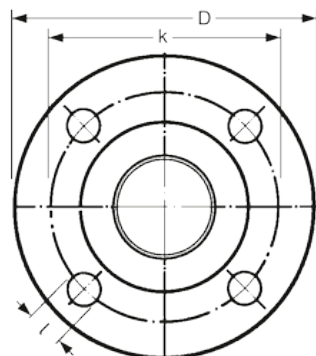
Length

BL 175 mm

Flange 1

DIN PN 16

Dimension: D: 340 mm, k: 295 mm, 12 holes, l: 22 mm



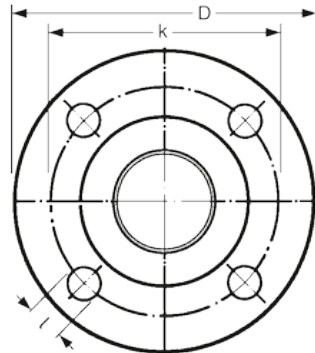
Material 1

Zinc Plated Steel

Flange 2

DIN PN 16

Dimension: D: 340 mm, k: 295 mm, 12 holes, l: 22 mm



Material 2

Zinc Plated Steel

Limiters

Without limiter

Without limiter (Standard)

Accessories

No further accessories

Without accessories (Standard)

Flame Protection

Without flame protection

Without flame protection (Standard)

Permissible Vacuum [mbar] for Type ROTEX

DN	25	32	40	50	65	80	100	125	150	200	250	300	350	400	450	500	600	700	800	900	1000	
no VSD / VSR	max.	max.	max.	max.	-700	-600	-400	-300	-300	-300	-200	-100										
with VSD				max.	max.	max.	max.	max.	max.	-600	-400	-200										
with VSR								max.	max.	max.	max.	max.	max.	max.	max.	max.	-700	-700	-700			
with VSRV										max.	max.	max.	max.	max.	max.	max.	max.	max.	max.	max.	-700	-700
with TAS				max.	max.	max.	max.	max.	max.	-600	-400	-200										
with TA											Nicht geeignet für Vakuum.											

Data measured at room temperature with new expansion joints in standard length and non swelling media. For swelling media use a safety factor.

A compressed installation improves the in the table listed vacuum resistance. The maximum permissible elongation (L max.) reduces the vacuum resistance by 50%.

For this case we recommend to use vacuum support spirals or vacuum support rings (see catalogue page 468).

Dependencies of overpressure, range of movement and temperature please see table on catalogue page 404.

Contact:

ELAFLEX

Schnackenburgallee 121

22525 Hamburg (Eidelstedt)

Telefon: +49 40 540 00 50

Telefax: +49 40 540 00 567

E-Mail: info@elaflex.de

Internet: <http://www.elaflex.de/en/>