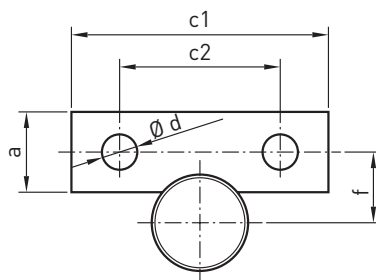
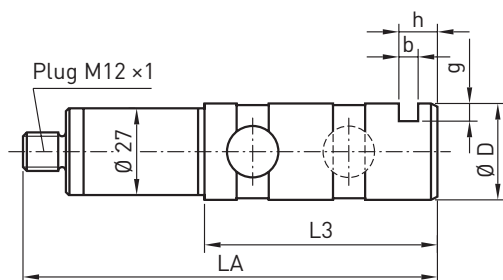
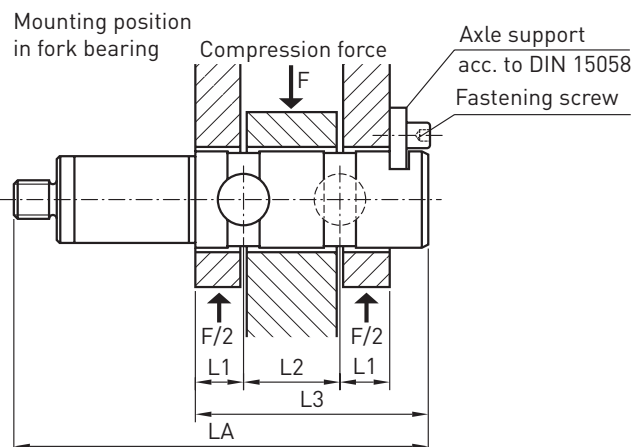


Load Pin

Model F5301

max.
200 kN

Force



All dimensions are in millimeters, unless otherwise noted. Also available in American units.



Measuring ranges

- 0-5 to 0-200 kN



Features

- Amplified Output
- High shock and vibration resistance
- For dynamic or static measurements



Options

- Keeper Plate
- Improved Accuracy
- Atex approval



Drawing

- DE940

| PERFORMANCE SPECIFICATIONS (FSO is Full Scale Output) | | Capacity (kN) | Ordering Example | $\varnothing D^*$ | LA | L1 | L2 | L3 | a | b | c1 | c2 | $\varnothing d$ | f | g | h |
|-------------------------------------------------------------|------------------------------|---------------|------------------|-------------------|-----|------|----|-------|----|----|-----|-----|-----------------|----|-----|----|
| EXCITATION | | 5 | F5301 1 350 002 | 20 | 105 | 10 | 20 | 50.5 | 20 | 5 | 60 | 36 | 9 | 16 | 4.0 | 10 |
| for current output | 10-30 VDC | 10 | F5301 1 410 001 | 25 | 115 | 12.5 | 25 | 60.5 | 20 | 5 | 60 | 36 | 9 | 18 | 4.5 | 10 |
| for voltage output | 14-30 VDC | 20 | F5301 1 420 002 | 30 | 125 | 15 | 30 | 72.5 | 25 | 6 | 80 | 50 | 11 | 22 | 5.5 | 12 |
| OUTPUT | | 30 | F5301 1 430 001 | 35 | 135 | 17.5 | 35 | 82.5 | 25 | 6 | 80 | 50 | 11 | 24 | 6 | 12 |
| 2-wire current | 4-20 mA | 50 | F5301 1 450 011 | 40 | 150 | 22.5 | 40 | 97.5 | 25 | 6 | 80 | 50 | 11 | 26 | 6.5 | 12 |
| 3-wire voltage | 0-10 VDC | 100 | F5301 1 510 011 | 50 | 165 | 23 | 50 | 112.5 | 30 | 8 | 100 | 70 | 13 | 33 | 7 | 16 |
| LINEARITY | ± 2.0 or 1.0% FSO | 200 | F5301 1 520 011 | 70 | 213 | 35 | 70 | 160.5 | 40 | 10 | 140 | 100 | 17 | 45 | 10 | 20 |
| HYSTERESIS | $\pm 0.20\%$ FSO | | | | | | | | | | | | | | | |
| REPEATABILITY | $\pm 0.10\%$ FSO | | | | | | | | | | | | | | | |
| CROSS SENSITIVITY (Signal with 100% load at 90°) | $\pm 5.0\%$ | | | | | | | | | | | | | | | |
| OPERATING TEMP RANGE | -40 to $+80^\circ\text{C}$ | | | | | | | | | | | | | | | |
| COMPENSATED TEMP RANGE | -20 to $+80^\circ\text{C}$ | | | | | | | | | | | | | | | |
| THERMAL EFFECTS on Zero | 0.02% FSO/10K | | | | | | | | | | | | | | | |
| on Span | 0.02% FSO/10K | | | | | | | | | | | | | | | |
| SAFE OVERLOAD | 150% of Capacity | | | | | | | | | | | | | | | |
| ULTIMATE OVERLOAD | 300% of Capacity | | | | | | | | | | | | | | | |
| CASING MATERIAL | Stainless Steel | | | | | | | | | | | | | | | |

| Electrical connection | 4 ... 20 mA (2-wire) | | 0...10 VDC (3-wire) | |
|-----------------------|----------------------|-------------------|---------------------|-------------------|
| | Pin | Conductor marking | Pin | Conductor marking |
| Supply voltage (UB+) | 1 | Brown | 1 | Brown |
| Supply voltage (0 V) | 3 | Blue | 3 | Blue |
| Signal (+) | 1 | Brown | 4 | Black |
| Signal (-) | 3 | Blue | 3 | Blue |
| Screen | M12×1 | Screen | M12×1 | Screen |