



VALTACO BALL VALVE 26



valtaco

Features

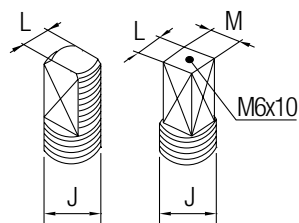
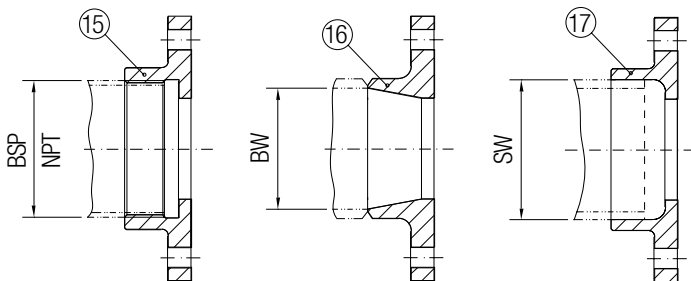
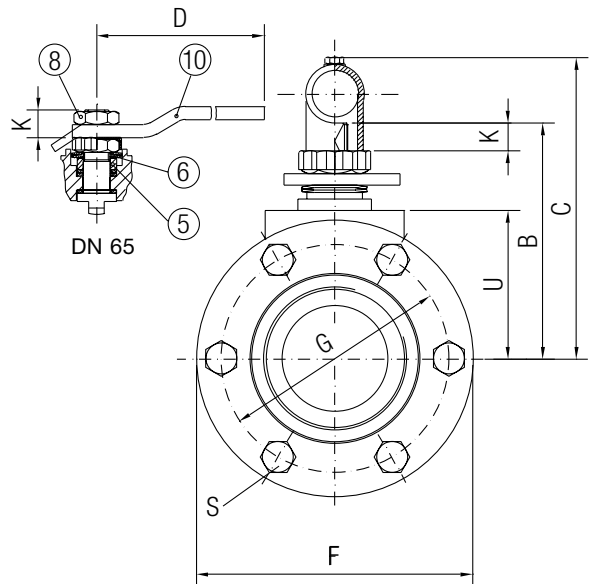
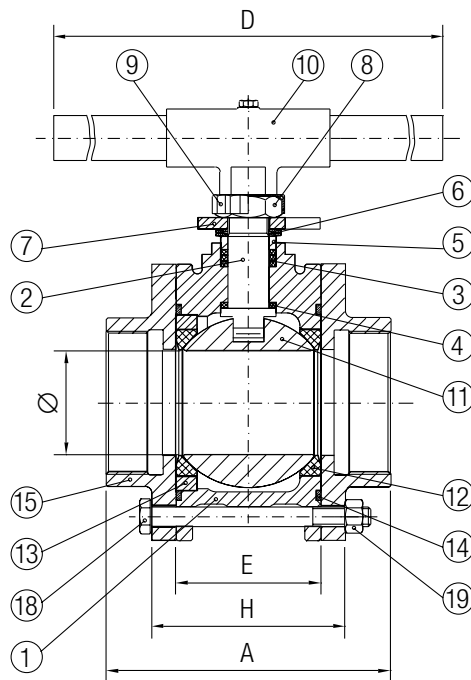
- Wide range of connections and accessories
- Solid ball

Benefits

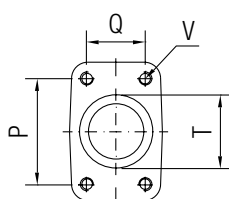
- Suitable for various applications
- Excellent flow characteristics

VALTACO BALL VALVE 26 – Reduced Bore – DN 15-50 (1/2" - 2")

- 1 Body
- 2 Stem
- 3 Gland Packing
- 4 Thrust Washer
- 5 Stem Seal Follower
- 6 Plate Spring
- 7 Stop Plate
- 8 Handle Nut
- 9 Lock Cap
- 10 Handle
- 11 Ball
- 12 Seat
- 13 Centre Ring
- 14 Body Seal
- 15 Screwed End
- 16 Butt Weld End
- 17 Socket Weld End
- 18 Body Bolt
- 19 Body Nut



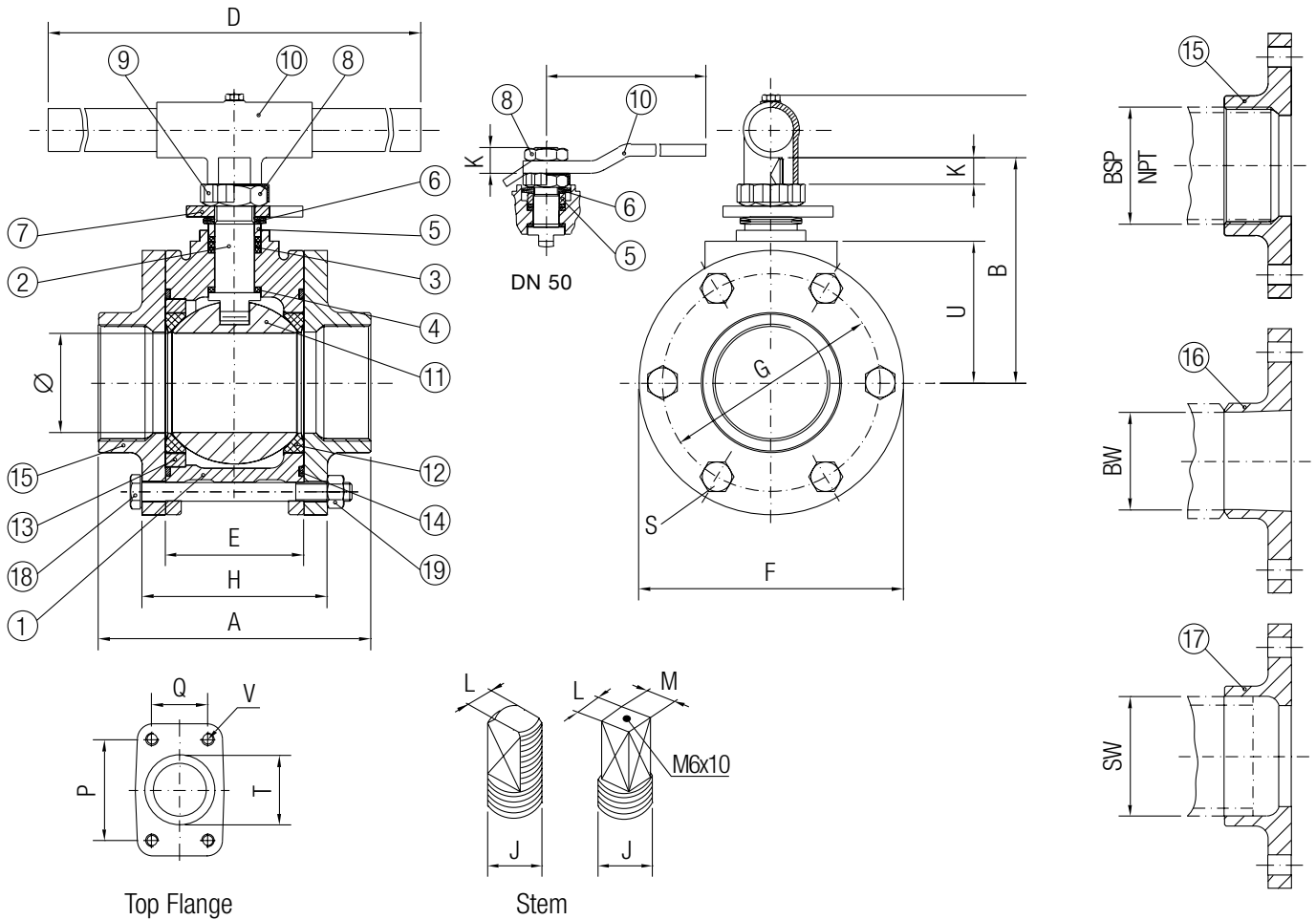
Stem



Top Flange

DN	65	80	100	150
SIZE	2 1/2"	3"	4"	6"
BW	62.7	78	102.3	154.1
SW	77	90	115.5	-
Ø	50	64	82.5	100
A	146	175	215	300
B	99	145	161	176
C	102	177	193	208
D	175	500	500	500
E	71.5	89	108.5	135
F	140	170	206	250
G	114	140	175	215
H	100	119	141	169
J	M16x1.5	UNF 1"	UNF 1"	UNF 1"
K	16	23	23	23
L	11	19	19	19
M	-	21	21	21
P	54	65	65	65
Q	25	36	45	45
S	M12x115	M12x135	M14x115	M14x185
T	38	45	45	45
U	75	91	107	126
V	M6	M8	M10	M10
kg	8.5	16	25	48

VALTACO BALL VALVE 26 – Full Bore – DN 50-100 (2" - 4")



Features:

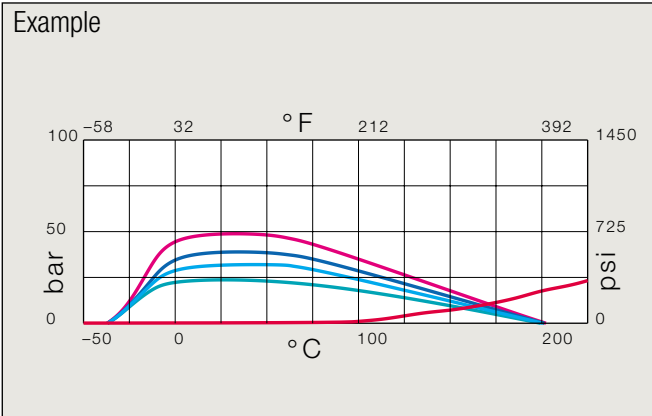
- Wide range of connections and accessories
- Solid ball

Benefits:

- Suitable for various applications
- Excellent flow characteristics

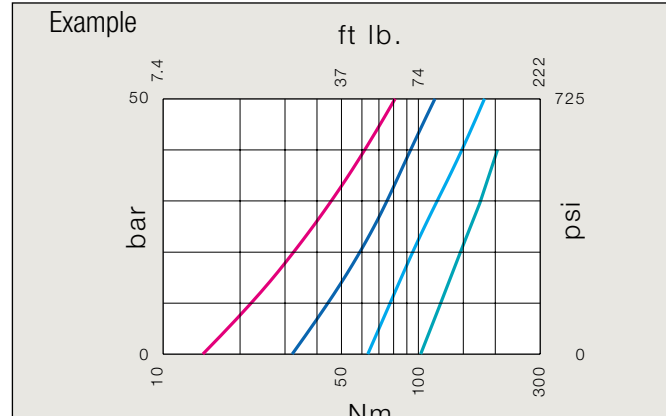
DN	50	65	80	100
SIZE	2"	2 1/2"	3"	4"
BW	52.5	62.7	78	102.3
SW	61.5	77	90	115.5
Ø	50	64	82.5	100
A	146	175	215	300
B	99	145	161	176
C	102	177	193	208
D	175	500	500	500
E	71.5	89	108.5	135
F	140	170	206	250
G	114	140	175	215
H	100	119	141	169
J	M16x1.5	UNF 1"	UNF 1"	UNF 1"
K	16	23	23	23
L	11	19	19	19
M	-	21	21	21
P	54	65	65	65
Q	25	36	45	45
S	M12x115	M12x135	M14x115	M14x185
T	38	45	45	45
U	75	91	107	126
V	M6	M8	M10	M10
kg	8.5	16	25	48

VALTACO BALL VALVE 26



- DN 65 vent. RB / 50 int. FB
- DN 80 vent. RB / 65 int. FB
- DN 100 vent. RB / 80 int. FB
- DN 150 vent. RB / 100 int. FB
- Steam

Breakaway torques



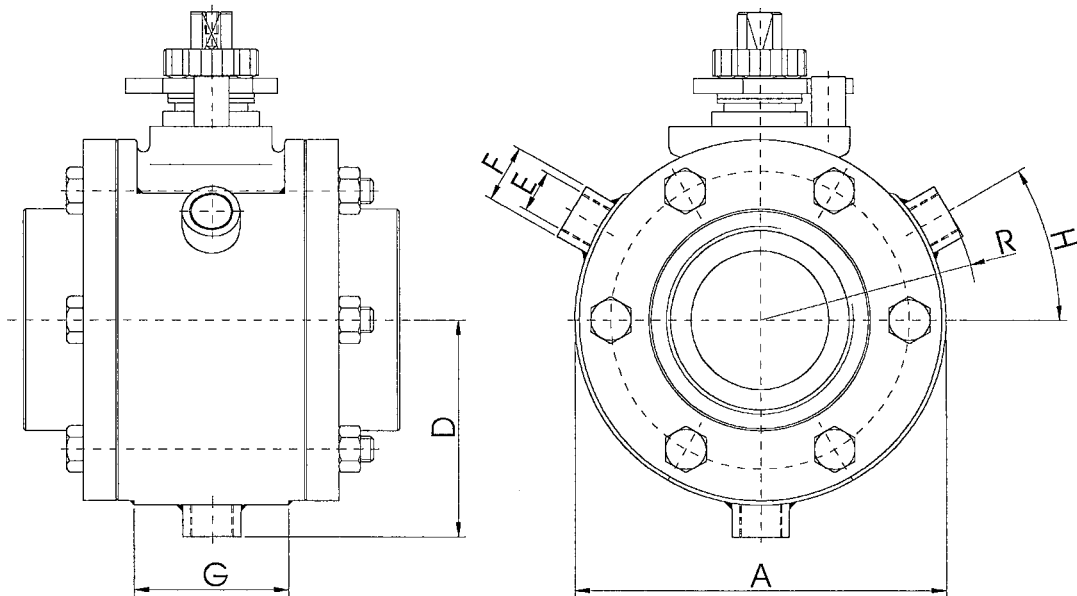
These diagrams are for PTFE seats.



Materials

		2644	2666
1	Body	WCB	CF8M
2	Stem	AISI316L	
3	Gland Packing	Graphite	
4	Thrust Washer	PTFE-carbon	
5	Stem Seal Follower	AISI303	
6	Plate Spring	AISI303	
7	Stop Plate	AISI316L / CF8M	
8	Handle Nut	AISI303	
9	Lock Cap	AISI304	
10	Handle	CF8M	
11	Ball	CF8M	
12	Seat	PTFE	
13	Centre Ring	CF8M	
14	Body Seal	Graphite	
15	Screwed End	A105N	AISI316L
16	Butt Weld End	A105N	AISI316L
17	Socket Weld End	A105N	AISI316L
18	Body Bolt	AISI1034	AISI304
19	Body Nut	AISI1034	AISI304

VALTACO BALL VALVE 26 HEATING JACKET



Dimensions

DN	NPS	A	D	E	F	G	H	R
150/100	6" / 4"	255	143	1/2"	27	115	30°	143
100/80	4" / 3"	211	121	1/2"	27	90	30°	121
80/65	3" / 2 1/2"	175	102	1/2"	27	75	30°	102
65/50	2 1/2" / 2"	145	88	1/2"	27	60	30°	88