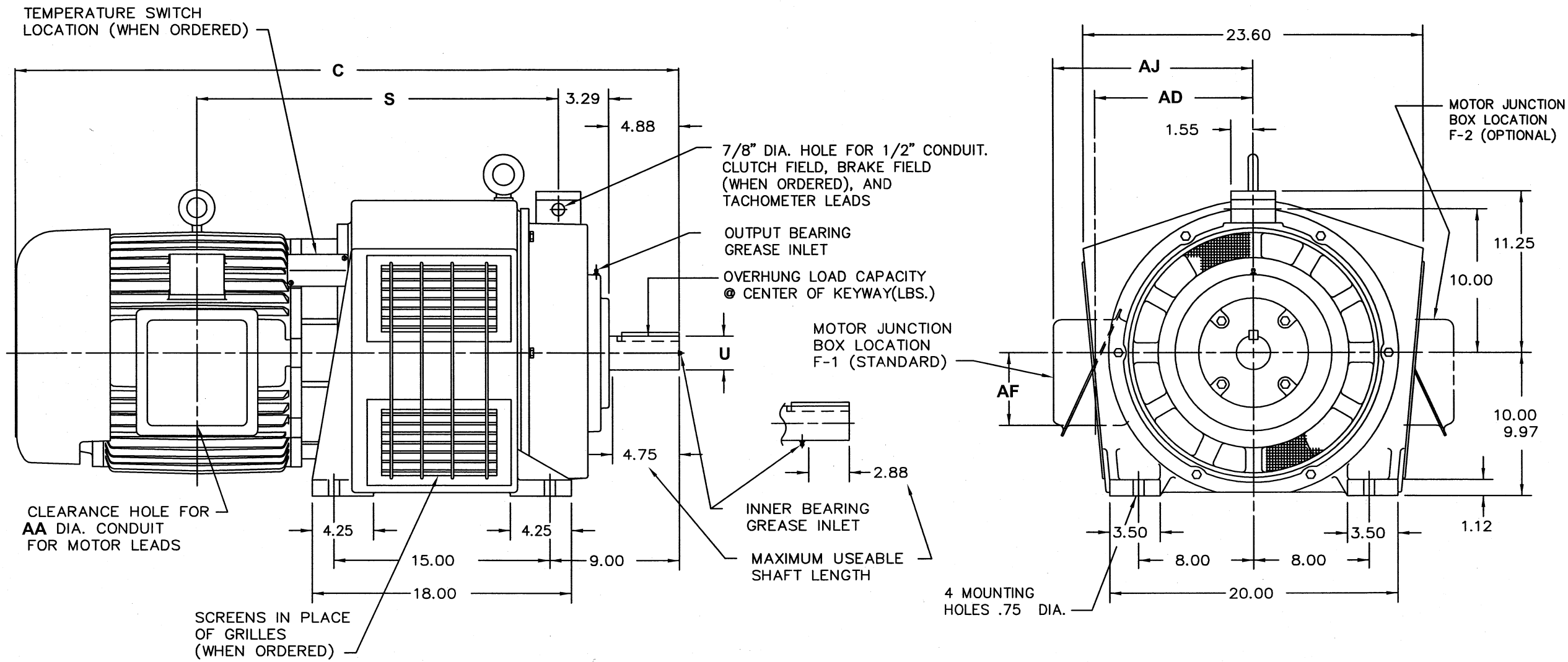


Variable Speed Drive AT Drives



DIMENSIONS SHOWN BELOW ARE FOR NEMA 'T' FRAME TEFC MOTORS

CLUTCH	MOTOR FRAME	C	S	SHAFT EXTENSION		AA	AD	AF	AJ	WEIGHT-LBS.	
				U	KEY					W/O BRAKE	W/INT. BRAKE
320	326 T	47.57	26.07	2.125	.50 SQ. x 4.00 LG.	2.00	10.68	5.00	13.18	1485	1585
	365 T	49.19	26.82	2.124		3.00	12.75	6.75	16.68	1760	1860
320 (STD.)	326 T	47.57	26.07	2.375	.62 SQ. x 4.00 LG.	2.00	10.68	5.00	13.18	1490	1590
	365 T	49.19	26.82	2.374		3.00	12.75	6.75	16.68	1765	1865

OVERHUNG LOAD CAPACITY		
RPM	BALL	SPH.
1800	1156	1739
1500	1236	
1200	1341	
1000	1445	
900	1490	

ABOVE VALUES ARE BASED ON B-10 BEARING LIFE OF 20,000 HOURS OR ON MAX. ALLOWED SHAFT STRESS